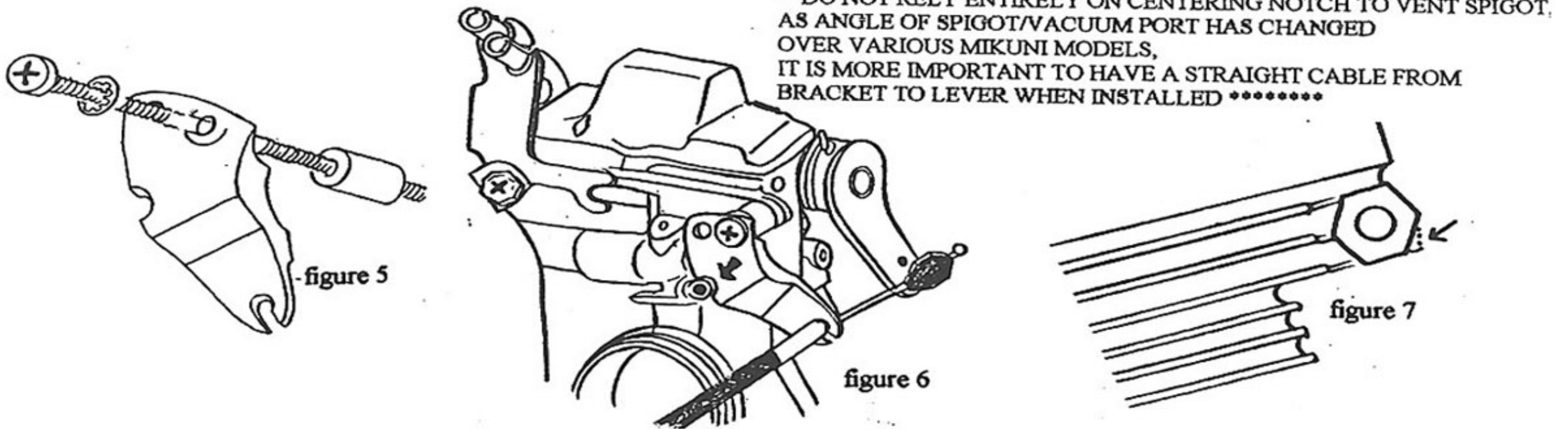


3042-0004

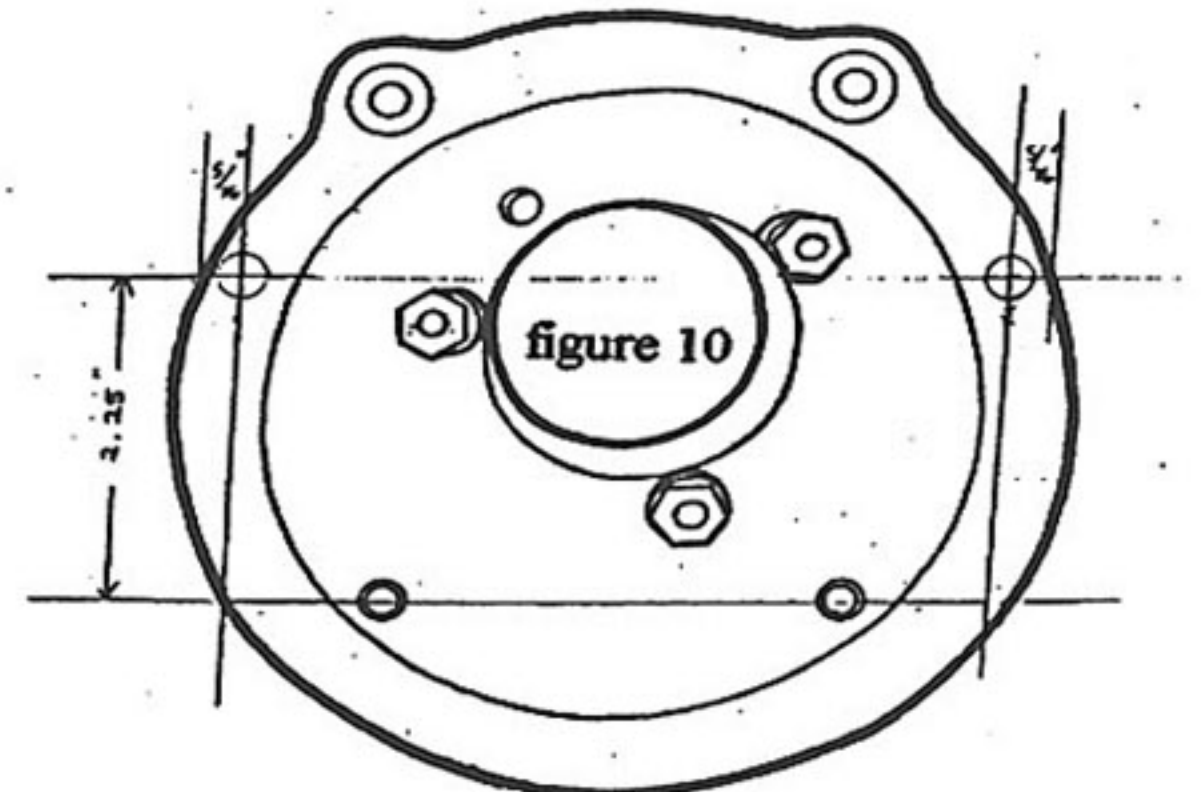
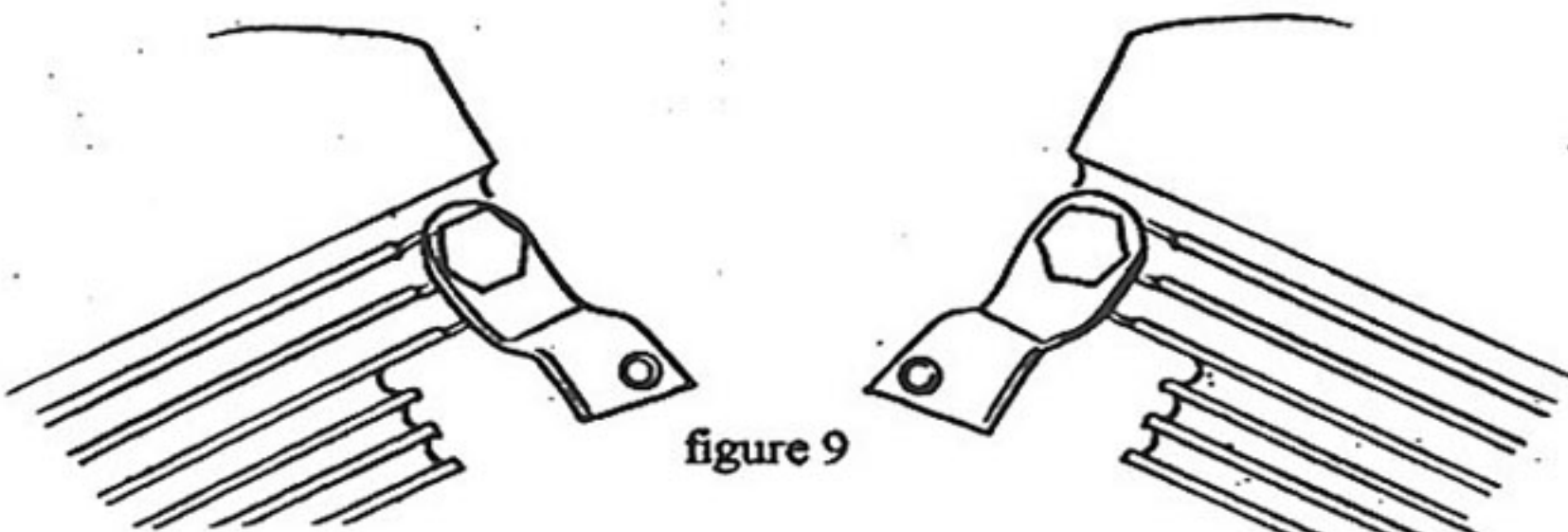
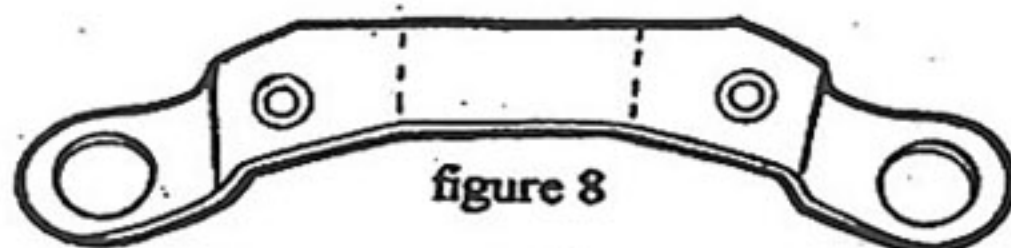
Cable Bracket Installation - Part II

- Step 1 Lay carburetor face down on air cleaner side. Remove top right carburetor screw
- Step 2 Install screw supplied in this kit in the following order: screw, star washer, cable bracket, then spacer (Refer to figure 5). Use Loctite. Make sure to center vent notch (Refer to figure 6) ★ For later model Mikuni's twist vacuum spigot slightly to the left. ★
- Step 3 Insert existing cruise cable through cable bracket, lock in place with E-clip, and snap cable end over pin on end of new cruise lever (Refer to figure 6). For pre '98 application, use supplied bolt with Loctite to secure it.
- Step 4 Remount carb., cables, choke and vacuum line. Make sure fuel line does not touch cable. Open and close carburetor using cruise lever. Make sure the lever has complete free movement and no interference with any mechanism.



Air Cleaner Bracket Modification - Part III

- Step 1 Remove support bracket
- Step 2 Cut bracket at notches (Refer to figure 8)
- Step 3 Re-install modified bracket pieces swapping the left and right sides of the original bracket assembly (Refer to figure 9). Hand tighten
- Step 4 Using a straightedge, scribe a line through centers of vent holes (See figure 10). Measure up 2.25 inches and scribe another line across backplate. Measure 5/16" from outside edge of backplate on the left and right side. These are the spots for redrilling mount holes. Use 1/4" drill bit and counter sink.
- Step 5 Align pre-drilled air cleaner backplate to the new support brackets. Tighten using previously removed screws
- Step 6 Check for shimming/spacing of breather brackets



The installation procedure should be performed by a professional mechanic. S&M Cycles claims no responsibility or liability due to installation or improper use of cruise control device or any situation arising thereafter.