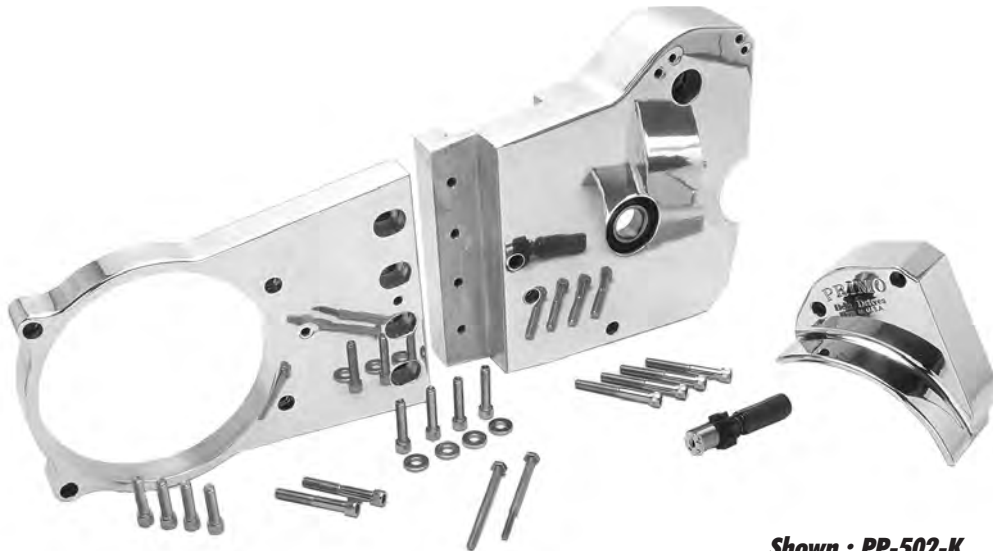


## \* **2-PC MOTOR PLATES**

**THESE BILLET ALUMINUM ASSEMBLIES FIT EVO & TWIN CAM SOFTAIL<sup>®</sup>, DYNA GLIDE<sup>®</sup>, FXR & SHOVELHEAD MODELS. EACH PLATE IS SHOW POLISHED.**



Shown : PP-502-K

**COMPLETE MOTOR PLATE ASSYS . . . INCLUDES 2-PC MOTOR PLATE, BEARING SUPPORT w/BEARING INSTALLED, STARTER HOUSING ASSEMBLY AND ALL NECESSARY EQUIPMENT FOR ELECTRIC START CAPABILITY**

PP-302 . . . . . FOR SHOVELHEAD MODELS  
PP-402 . . . . . FOR ALL SOFTAIL<sup>®</sup> MODELS

PP-502 . . . . . FOR DYNA GLIDE<sup>®</sup> MODELS  
PP-602 . . . . . FOR FXR MODELS

**COMPLETE MOTOR PLATE ASSYS w/o ELECTRIC START COMPONENTS . . . INCLUDES 2-PC MOTOR PLATE ASSY, BEARING SUPPORT PLATE w/BEARING INSTALLED & ALL NECESSARY PARTS FOR KICK START ONLY USE**

PP-402-K . . . . . FOR EVO SOFTAIL<sup>®</sup> MODELS  
PP-602-K . . . . . FOR FXR MODELS

PP-502-K . . . . . FOR DYNA GLIDE<sup>®</sup> MODELS

**MOTOR PLATE / FRONT SECTION ONLY . . . INCLUDES THE PLATE & ALL NEEDED HARDWARE**

PP-303-AY . . . . . FOR SHOVELHEAD MODELS  
PP-403-AY . . . . . FOR TWIN CAM SOFTAIL<sup>®</sup> MODELS  
PP-603-AY . . . . . FOR FXR MODELS

PP-403-AY . . . . . FOR EVO SOFTAIL<sup>®</sup> MODELS  
PP-503-AY . . . . . FOR DYNA GLIDE<sup>®</sup> MODELS  
PP-403-1.50-AY . . . . . FOR EVO SOFTAIL<sup>®</sup> w/1.5 " OFFSET(BRUTE IV)

**MOTOR PLATE / REAR SECTION ONLY . . . INCLUDES BEARING & SNAP RING AND ALL NEEDED HARDWARE**

PP-304-AY . . . . . FOR SHOVELHEAD MODELS  
PP-404-AY . . . . . FOR TWIN CAM SOFTAIL<sup>®</sup> MODELS  
PP-604-AY . . . . . FOR FXR MODELS

PP-404-AY . . . . . FOR EVO SOFTAIL<sup>®</sup> MODELS  
PP-504-AY . . . . . FOR DYNA GLIDE<sup>®</sup> MODELS  
PP-402-1.50-P-AY . . . . . FOR SOFTAIL<sup>®</sup> w/1.5 " OFFSET (BRUTE IV)

**STARTER SUPPORT HOUSING ONLY . . . PP-406-AY . . FOR BRUTE IV™ / PP-406-14-P-AY . . FOR BRUTE V™**

**STARTER SHAFT EXTENSION KIT . . . PP-407 . . . INCLUDES SPRING, PINION GEAR, THRUST-WASHER, LOCKING TAB, COUPLER & EXTENDER & SPECIAL LENGTH BOLTS FOR ELECTRIC START**

**PILLAR GUARD MOUNTS. . . . PP-412 . . . INCLUDES STUDS AND BOLTS**